



C a t a l o g u e
R h i n o
P a d l o c k s
2 0 1 9





Rhino Padlocks present itself as a tough, secure and innovative locking solution brand.

When it comes to protecting people, property, assets and business operations, we make a responsible contribution to raising security in those aspects.

To achieve this goal, we are committed to only provide a high quality locking system product and continuously developing new and innovative locking solutions that help you feel safe and secure, no matter where you are.

Rhino Padlocks – Stainless Steel Series



R101SS



R102SS



R401SS

 *Shrouded type for Maximum Security*



R201SS



R202SS



R501SS

 *Shrouded type for Maximum Security*



R301SS

 *Shrouded type for Maximum Security*



R302SS

 *Shrouded type for Maximum Security*

Advance Security Features



High quality top security padlock The right material, design and production methods make Rhino Padlocks a better choice in harsh conditions



Material body :
304 stainless steel
Shackle :
304 stainless steel



Key, reversible nickel silver key with plastic key head, also available in all nickel silver and stainless steel with plastic key head



Does not contain springs or pins that can jam for higher security and longer usage



Stainless steel double - ball shackle locking, equipped with stainless steel shackle



Finish: mirror polish, strip polish



Weather proof, for extreme corrosion resistance



Application extra high security padlock, for general use



Masterkey Ready (Optional)



Cylinder is protected against tampering



Keyed alike ready (Optional)



Hammer & impact attack resistant



Drill protection: cylinder is protected against drilling and leverage



Anti Acid and other destructive chemicals



Saw attack resistant

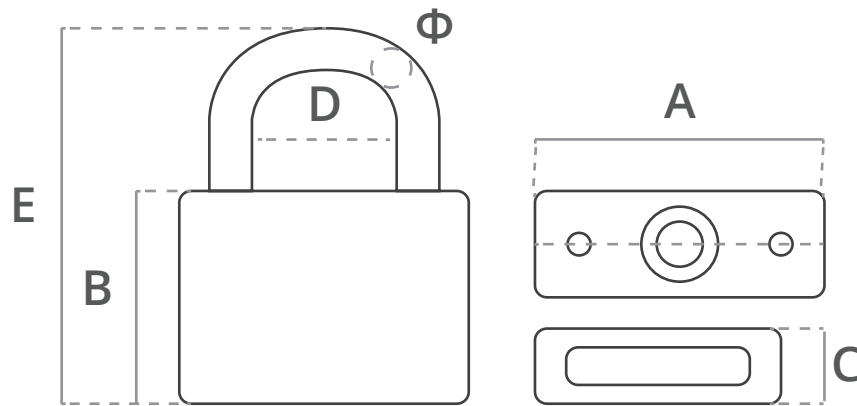


Bolt cutter attack resistant

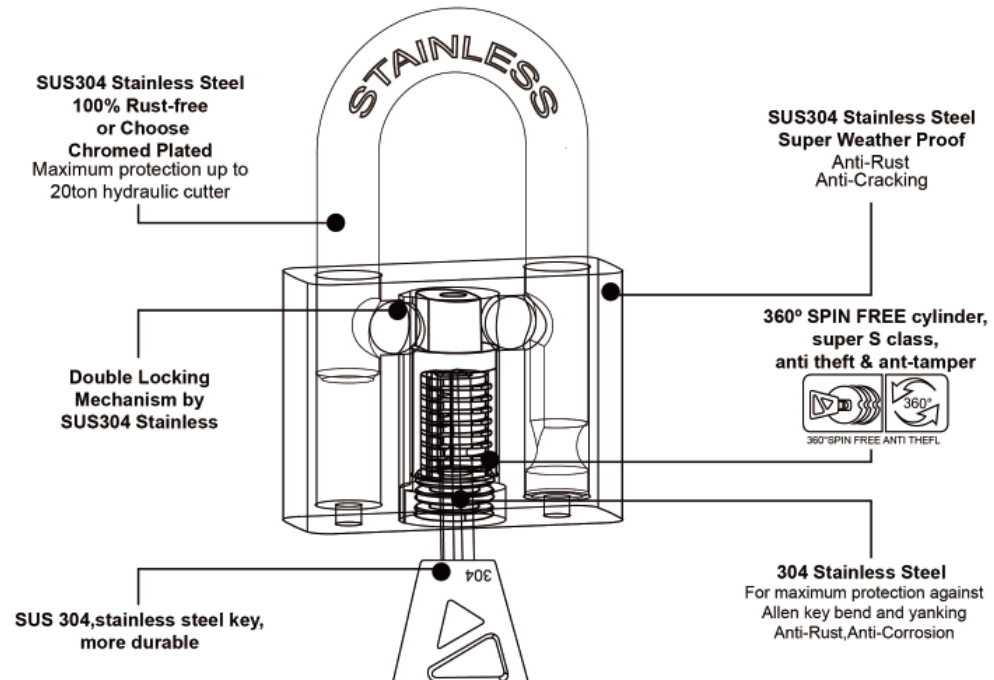


6 Tons pull resistant

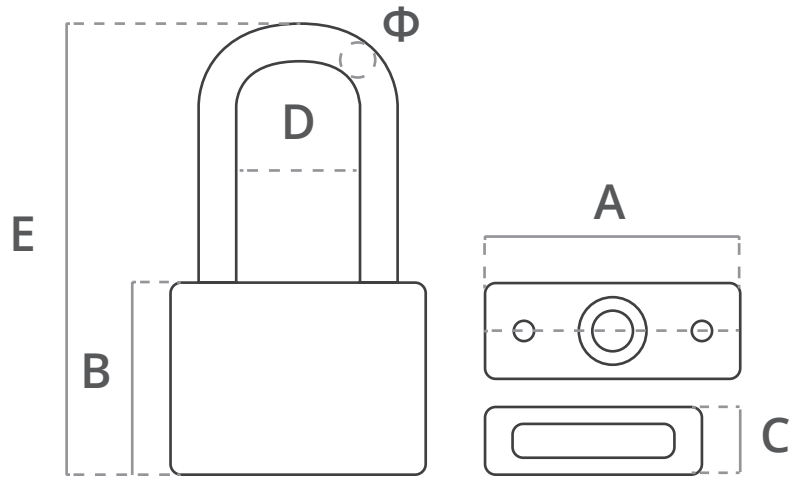
R101SS



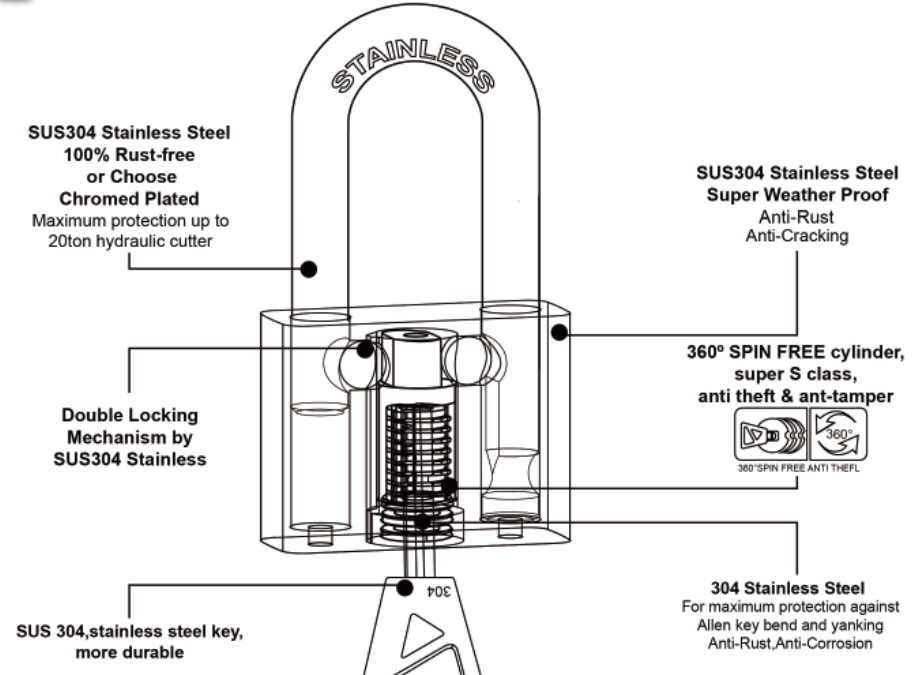
Model	Body			Shackle		
	A	B	C	Φ	D	E
30mm	32	30	20	5	17.5	53
40mm	40	32	20	7	20.5	66.5
50mm	50	38	20	10	23	77.5
60mm	60	45	20	12	25.8	93
70mm	70	50	22	14	31	101.5



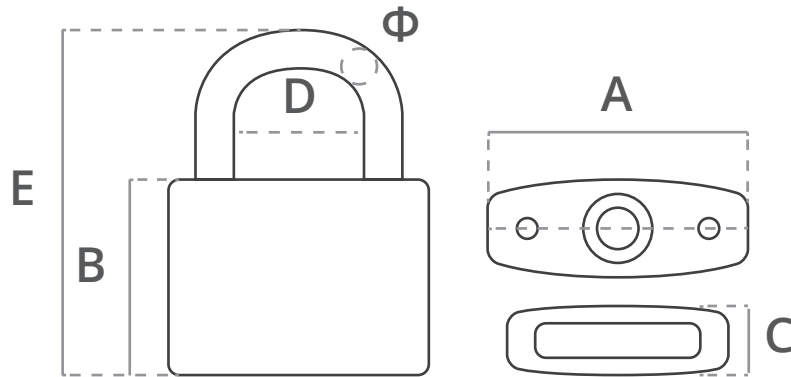
R102SS



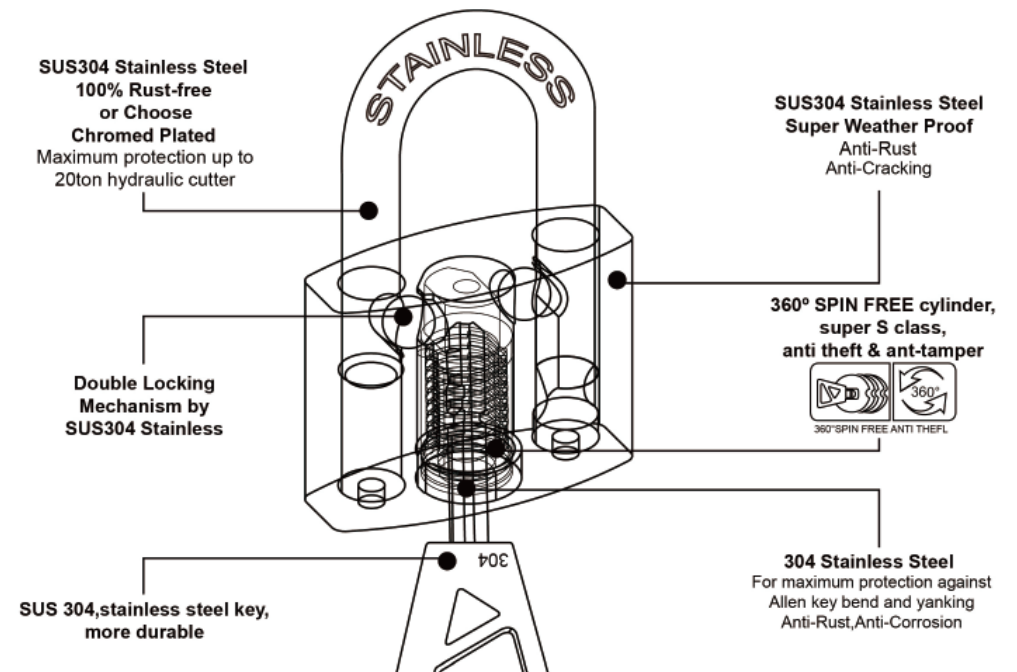
Model	Body			Shackle		
	A	B	C	Φ	D	E
30mm	32	30	20	5	17.5	75.5
40mm	40	32	20	7	20.5	85
50mm	50	38	20	10	23	100
60mm	60	45	20	12	25.8	109
70mm	70	50	22	14	31	121



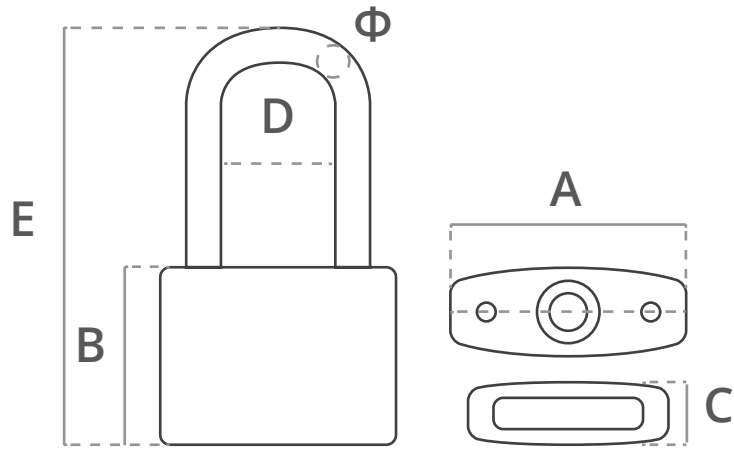
R201SS



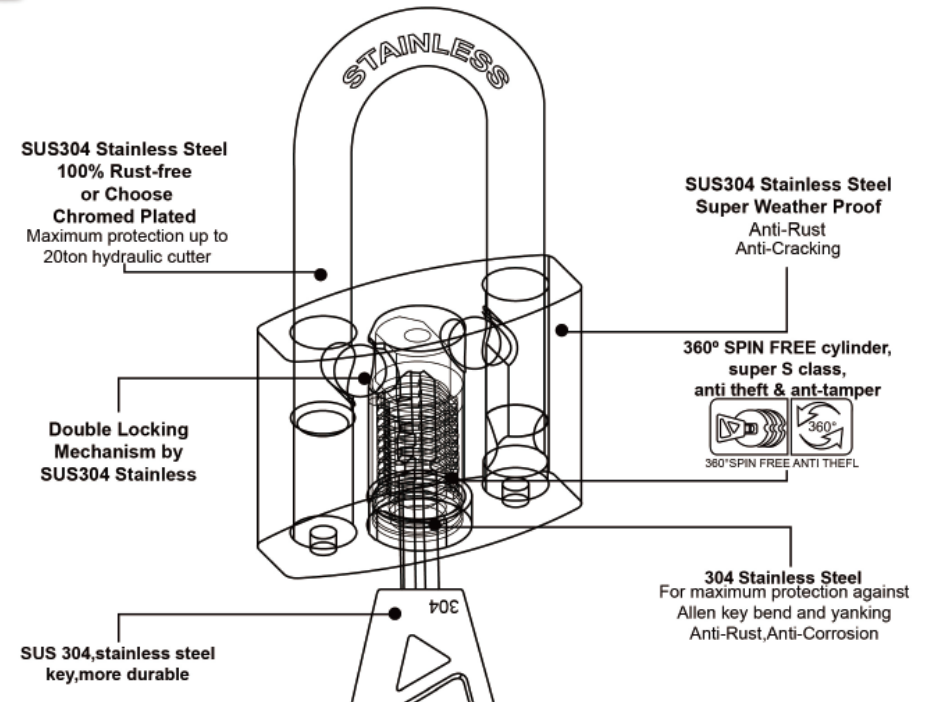
Model	Body			Shackle		
	A	B	C	Φ	D	E
40mm	40	32	21	7	20.5	66.5
50mm	50	38	21	10	23	77.5
60mm	60	45	21	12	25.8	93
70mm	70	50	22	14	31	101.5



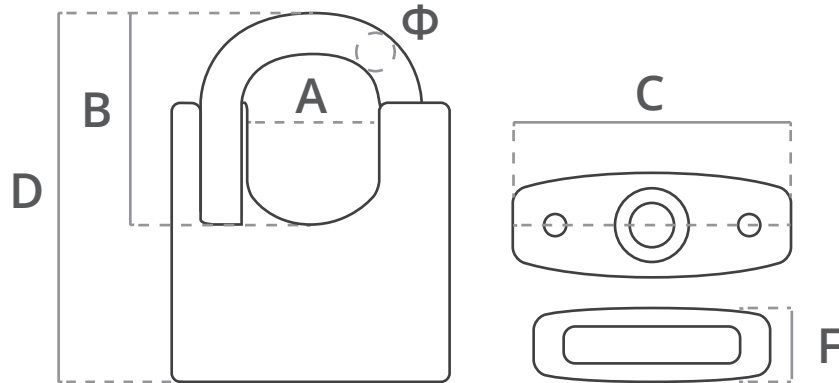
R202SS




Model	Body			Shackle		
	A	B	C	Φ	D	E
40mm	40	32	21	7	20.5	85
50mm	50	38	21	10	23	100
60mm	60	45	21	12	25.8	109
70mm	70	50	23	14	31	121

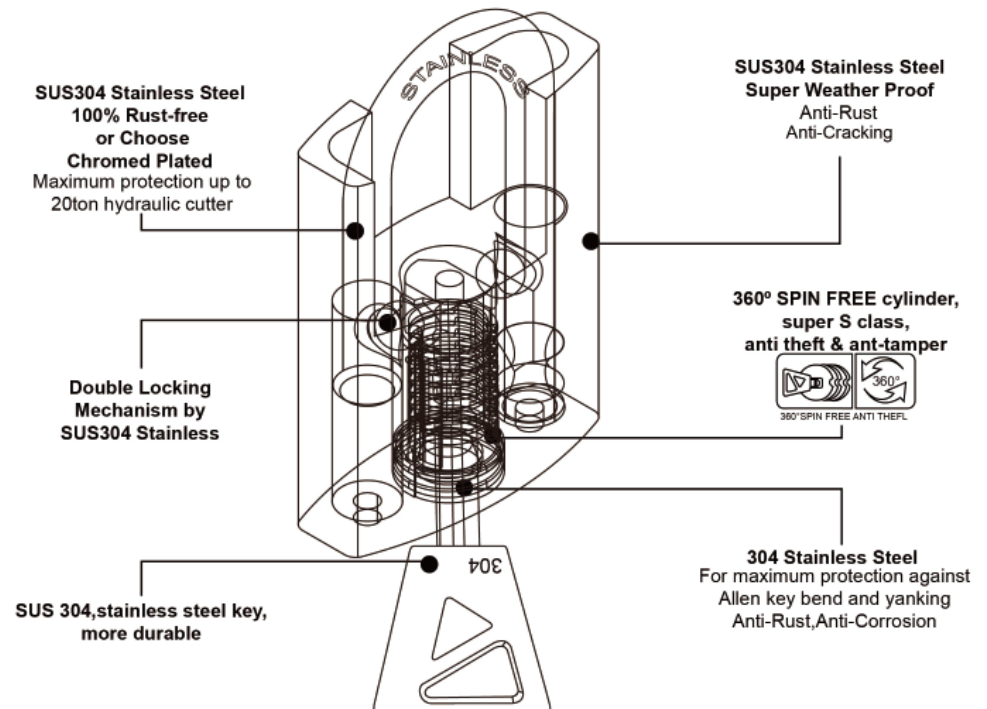


R301SS

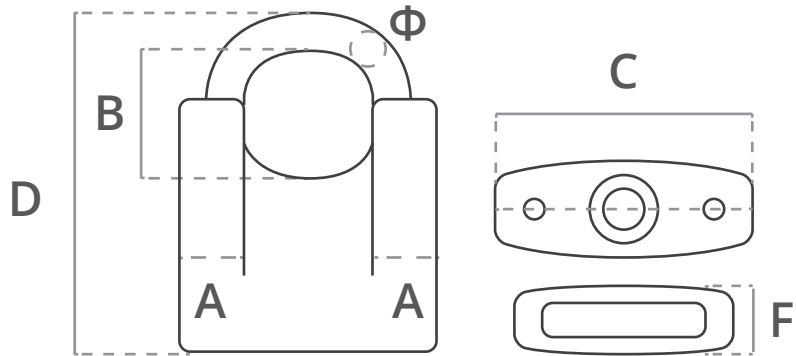


Model	Body			Shackle		
	F	B	D	Φ	A	C
40mm	20	28	55	7	20.5	40
50mm	20	23	65	10	23	50
60mm	20	25.8	80	12	25.8	60
70mm	22	31	85	14	31	70

 Shrouded type for Maximum Security




R302SS

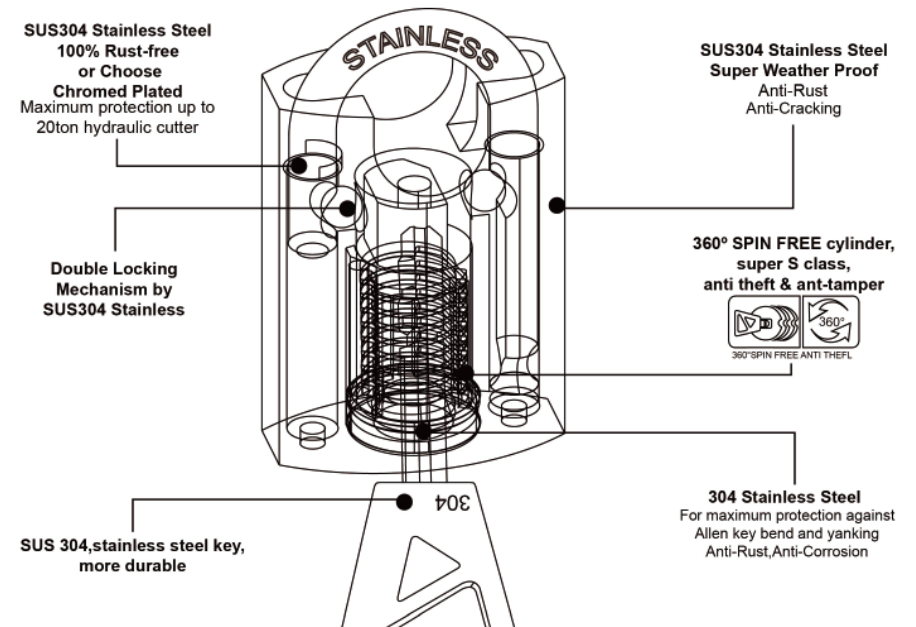


 Shrouded type for Maximum Security

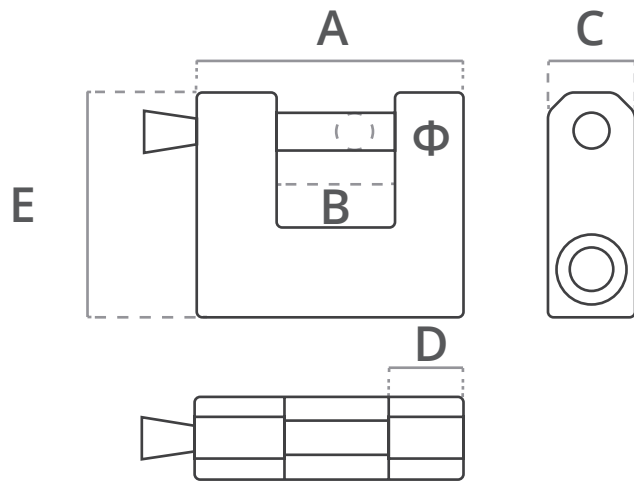


Model	Body			Shackle		
	F	B	D	Φ	A	C
35mm	20	10.8	48	6	18.6	35
40mm	21	15.5	55	8	19.6	40
50mm	21	19	60	10	23	50
60mm	21	21	73	12	25.8	60
70mm	23	30.8	88	14	31	70

 Shrouded type for Maximum Security



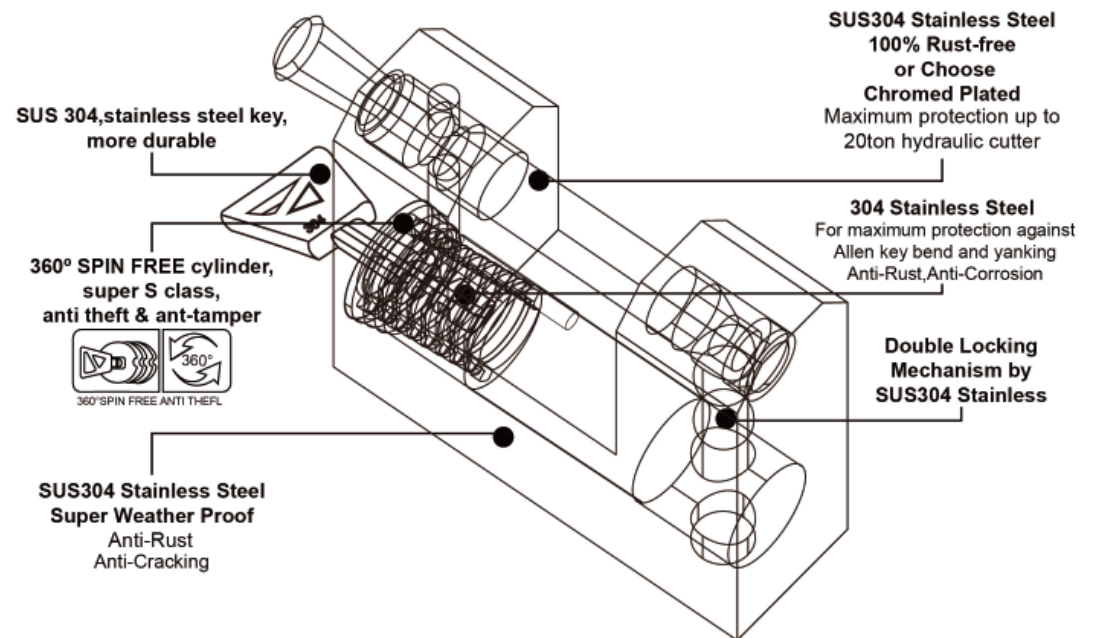
R401SS



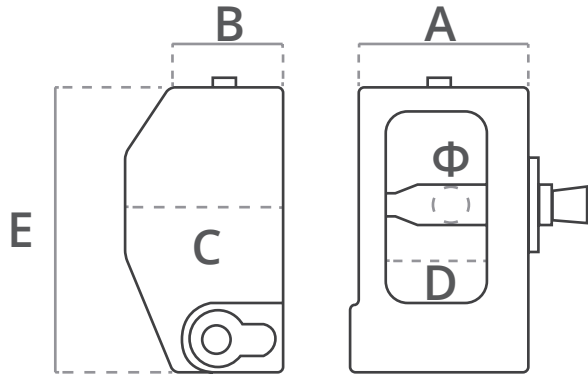
Model	Body			Shackle		
	A	B	C	Φ	D	E
50mm	50	23	20	8	15	41
60mm	60	25	20	9	16	50
70mm	70	30	20	10	18	53
80mm	80	32	20	11	20	55



Shrouded type for Maximum Security




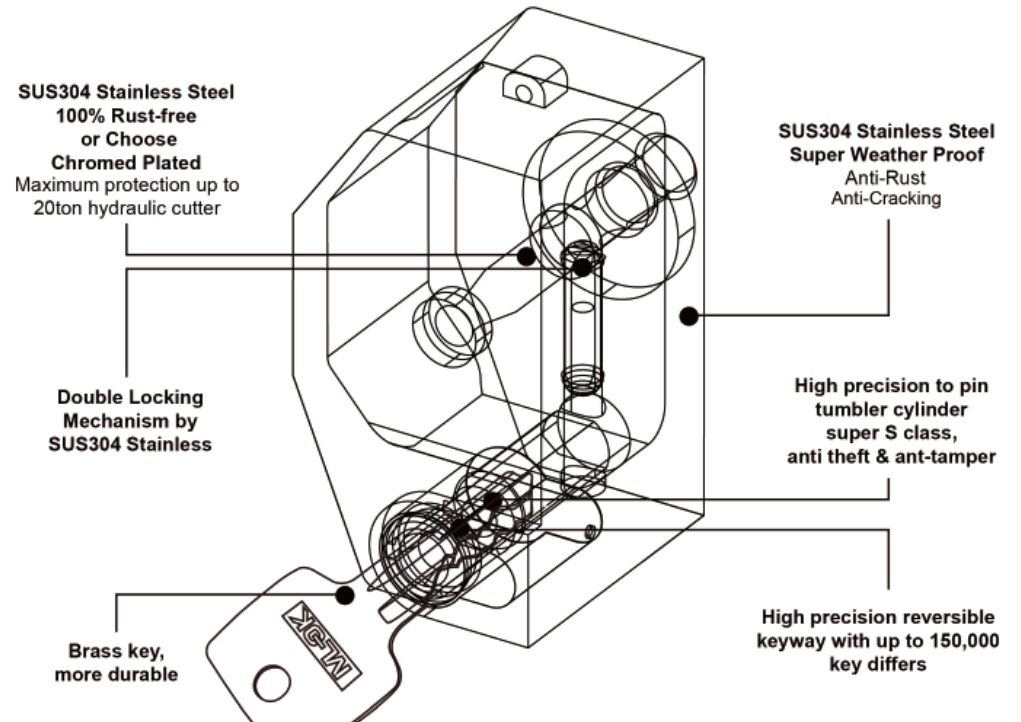
R501SS



Model	Body			Shackle		
	A	B	C	Φ	D	E

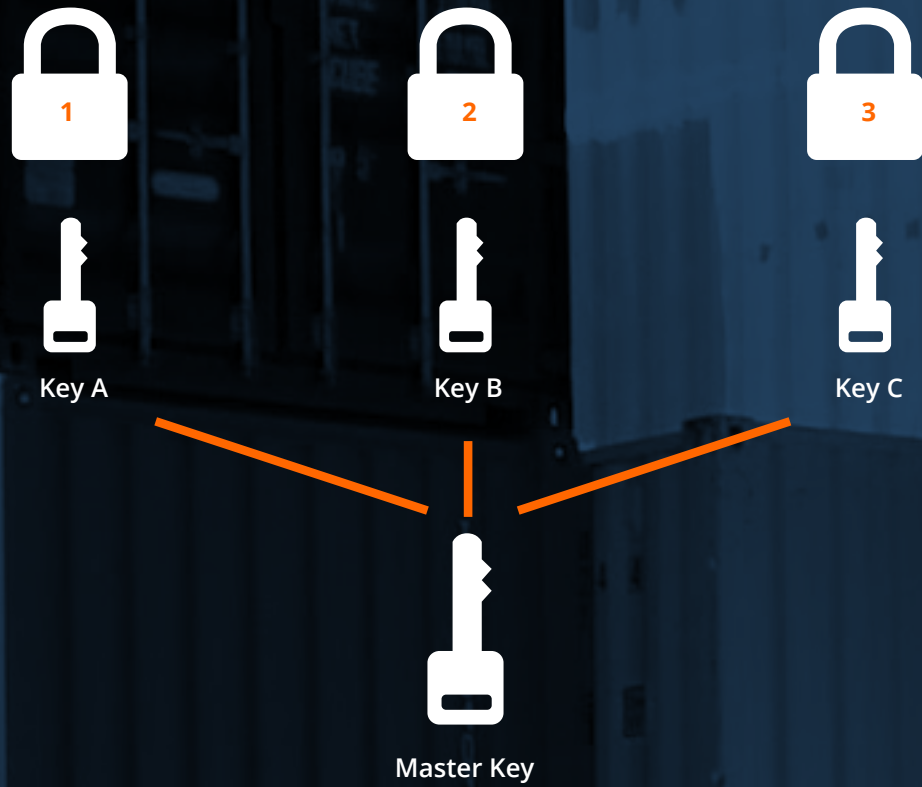
50mm 50 30 48 12 30.5 86

 Shrouded type for Maximum Security



Rhino Masterkey & Keyed Alike System

Padlock Masterkey

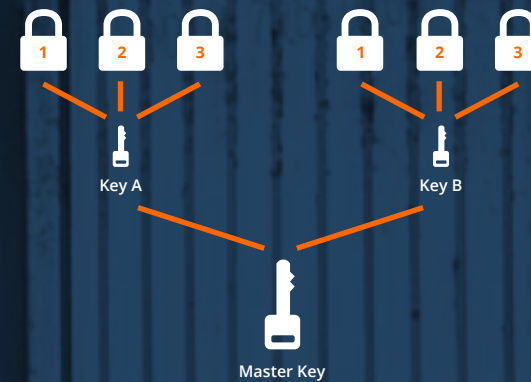


Padlock Keyed Alike



This quantity according to your request

Padlock Master & Keyed alike



This quantity according to your request



RHINO
PADLOCKS

Head Office : 18 Office Park. FL 22 Suite E,F,G.
Jl. TB Simatupang Kav.18
South Jakarta 12520,
Telephone : +62 21 8064 1938
E-mail : sales@rhinopadlocks.com
Web : www.rhinopadlocks.com

